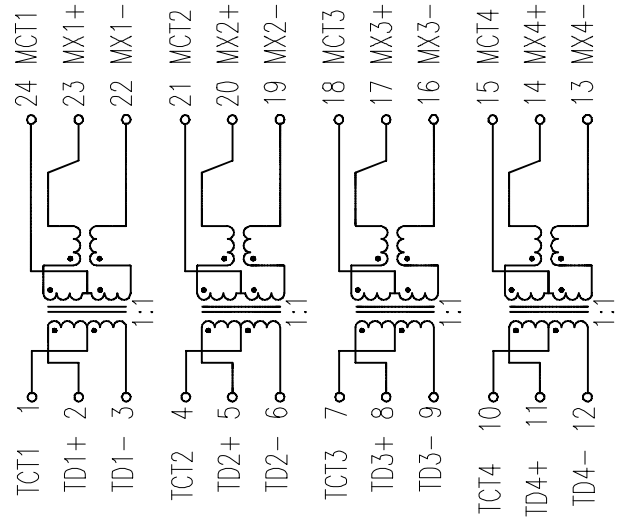


SUGGESTED PAD LAYOUT

⚠ UNLESS OTHERWISE SPECIFIED ALL TOLERANCES ARE : XX.XX ±0.25mm
 0.XX ±0.05mm



ELECTRICAL CHARACTERISTICS:

- INSULATION HI-POT : (5KVrms, 1mA, 2Sec) : PRI / SEC
- TURN RATIO (±5%) : TX = 1CT : 1CT
RX = 1CT : 1CT
- OCL : 350uH MIN. 100KHz/0.1V AT 8mA DC BIAS
- INSERTION LOSS : 1-100MHz = -1.2dB MAX.
- RETURN LOSS (dB MIN.) :

| | | | | |
|---------|-------|-------|----------|--------|
| 1-30MHz | 40MHz | 50MHz | 60-80MHz | 100MHz |
| -18 | -14.4 | -13.1 | -10 | -8 |
- DIFFERENTIAL TO COMMON MODE REJECTION (dB MIN.) :

| | | |
|-------|-------|--------|
| 30MHz | 60MHz | 100MHz |
| -43 | -37 | -33 |
- CROSS TALK (dB MIN.) :

| | | |
|-------|-------|--------|
| 30MHz | 60MHz | 100MHz |
| -45 | -40 | -35 |
- RoHS COMPLIANT

| | | | | | | | | | |
|-----------|-------------|------|----|-----|------|--------|--|------------------------------|--|
| | | | | | | | | TITLE PoE SINGLE 1000 BASE-T | |
| | | | | | | | | DWG. NO. ATPL-440R | |
| RELEASE | | | | | | UNITS: | | SAFETY | |
| NO: | DESCRIPTION | DATE | BY | CHK | APPD | DATE | | P/N: | |
| REVISIONS | | | | | | | | SHEET 1 of 1 | |
| | | | | | | | | DRAW | |